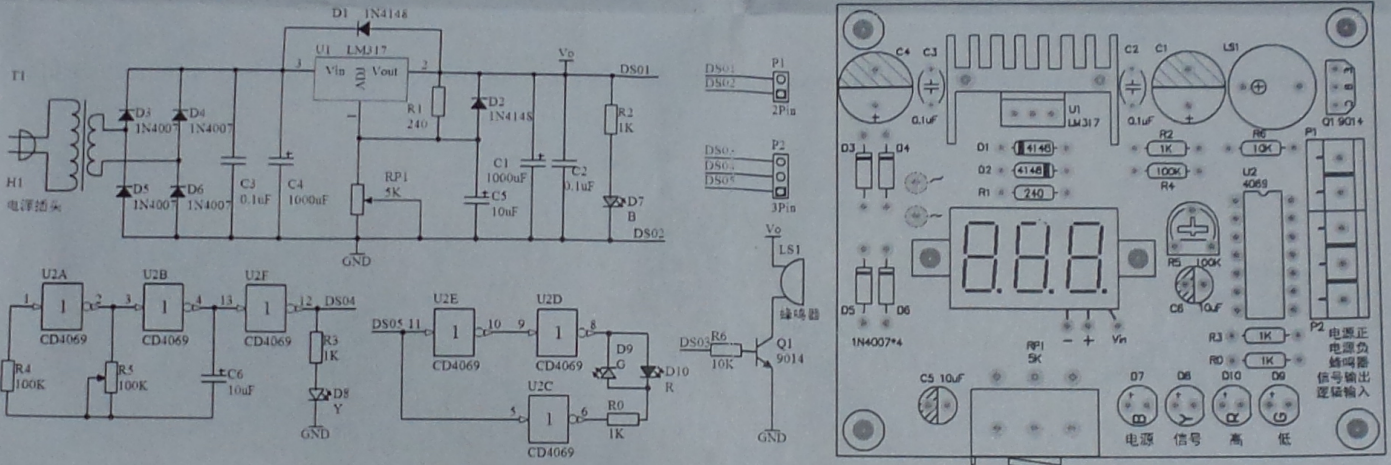


Installment instructions of LM317 adjustable voltage-stabilized source

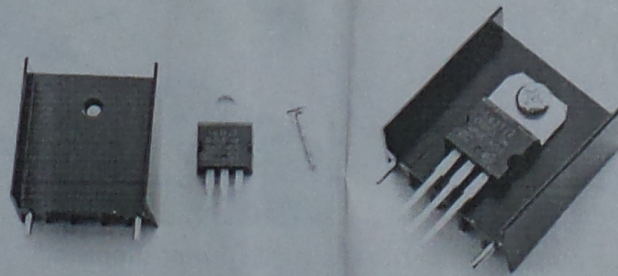
1	240Ω	Red ; Yellow; Black ;Black ;Brown	1 PCS	R1
2	10KΩ	Brown ;Black; Black;Red;Brown	2 PCS	R6
3	100KΩ	Brown; Black; Black; Yellow; Brown	3 PCS	R4
4	1KΩ	Brown ;Black; Black;Brown;Brown	4 PCS	R0、 R2、 R3

1. Schematic circuit diagram and component installation drawing.



2. Install the short component first and then install the taller sized component. Pay attention to the positive and negative electrode of electrolytic capacitor.

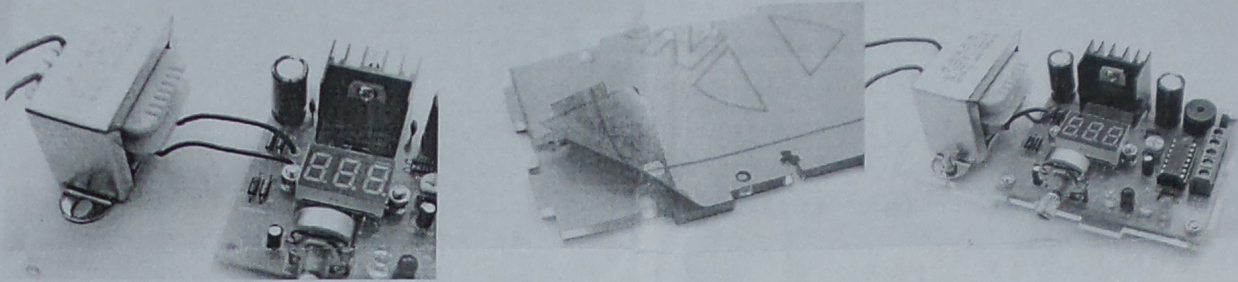
3. Installment of LM317.



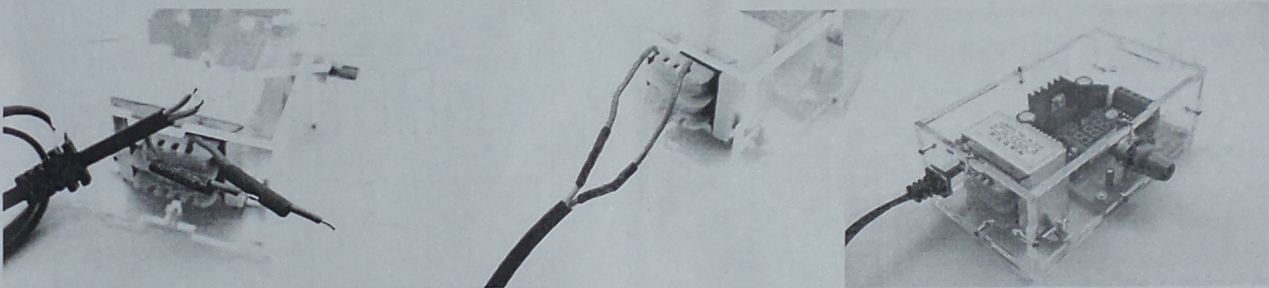
4. Installment of voltmeter: Take out three wires; weld three pieces of component pins; Install the voltmeter on the circuit board with M3 screws and transparent spacers.



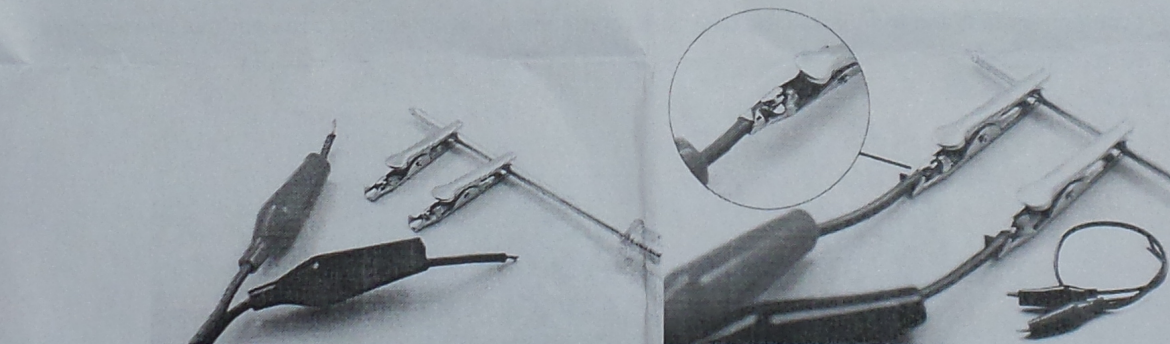
5. Connect the AC12V line of the transformer on the circuit board (there is no positive or negative electrodes); Tear off the protective film of the cover; fix the transformer with the circuit board with M3 screws well (put the transparent spacer on the circuit board).



6. The red line of the transformer shall connect the power source of 200V; protect the welded power line with heat shrink tubing.



7. Install the alligator clip.



8. Anode and cathode of power source: output end of the adjustable power supply.

Buzzer end: input the high level buzzer.

Signal output: output square signal, and change the output frequency by adjusting R5.

Logic signal input: The red LED shines with high level inputs; the green LED shines with the low level inputs.